

Competitors A

| # | Name | Club | 1 | 2 | 3 | 4 | Wins | Pts | Pos |
|---|----------------------|---|----|----|---|----|------|-----|-----|
| 1 | Alexander HERING | GER/Tatami Samurai Judoclub Exter e. V. | | | | | 0 | 0 | 4 |
| 2 | Holger Carl NIELSEN | DEN/Brønshøj Judo Club | 10 | X | | | 1 | 10 | 3 |
| 3 | Boyan TODOROV | GBR/Medway Park Judo Club | 10 | 10 | X | 10 | 3 | 30 | 1 |
| 4 | Viktor KRISTMUNDSSON | ISL/Judoclub Reykjavik | 10 | 10 | | X | 2 | 20 | 2 |

Matches A

| Match | White | Blue | Result | Time |
|-------|---------------------|----------------------|---------|------|
| 1 | Alexander HERING | Holger Carl NIELSEN | 000-110 | 1:23 |
| 2 | Boyan TODOROV | Viktor KRISTMUNDSSON | 100-000 | 1:04 |
| 4 | Alexander HERING | Boyan TODOROV | 000-100 | 1:31 |
| 5 | Holger Carl NIELSEN | Viktor KRISTMUNDSSON | 000-100 | 2:01 |
| 7 | Alexander HERING | Viktor KRISTMUNDSSON | 000-100 | 0:17 |
| 8 | Holger Carl NIELSEN | Boyan TODOROV | 000-100 | 0:33 |

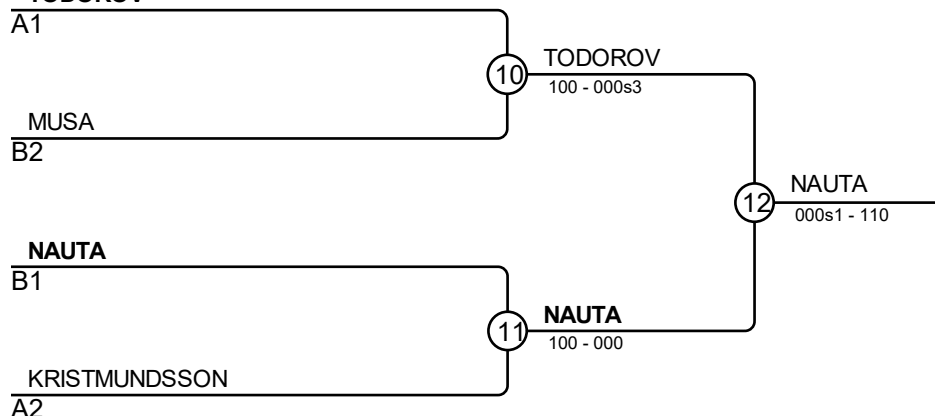
Competitors B

| # | Name | Club | 5 | 6 | 7 | Wins | Pts | Pos |
|---|---------------|------------------------|----|----|---|------|-----|-----|
| 5 | David DAVYDOV | GER/Polizei SV Berlin | X | | | 0 | 0 | 3 |
| 6 | Nimr MUSA | SWE/LUGI JUDO | 10 | X | | 1 | 10 | 2 |
| 7 | Job NAUTA | NED/Judoteam Groningen | 10 | 10 | X | 2 | 20 | 1 |

Matches A

| Match | White | Blue | Result | Time |
|-------|---------------|-----------|---------|------|
| 3 | David DAVYDOV | Nimr MUSA | 000-111 | 3:57 |
| 6 | David DAVYDOV | Job NAUTA | 000-101 | 0:18 |
| 9 | Nimr MUSA | Job NAUTA | 000-100 | 0:36 |

TODOROV



Results

| Pos | Name |
|-----|--|
| 1 | Job NAUTA, NED/Judoteam Groningen |
| 2 | Boyan TODOROV, GBR/Medway Park Judo Club |
| 3 | Nimr MUSA, SWE/LUGI JUDO |
| 3 | Viktor KRISTMUNDSSON, ISL/Judoclub Reykjavik |