

Copenhagen Open 2022

WO18-52

Competitors A

Competitors: 6

#	Name	Grade	Club	1	2	3	Wins	Pts	Pos
1	Yaël SCHIPPER	?	TPO		10	10	2	20	1
2	Nebile EKIZ	?	Stavanger Judoklubb			10	1	10	2
3	Hedda ANDERSON HESTHOLM	?	Norsk Judo og Jiu-Jitsu Klubb				0	0	3

Matches A

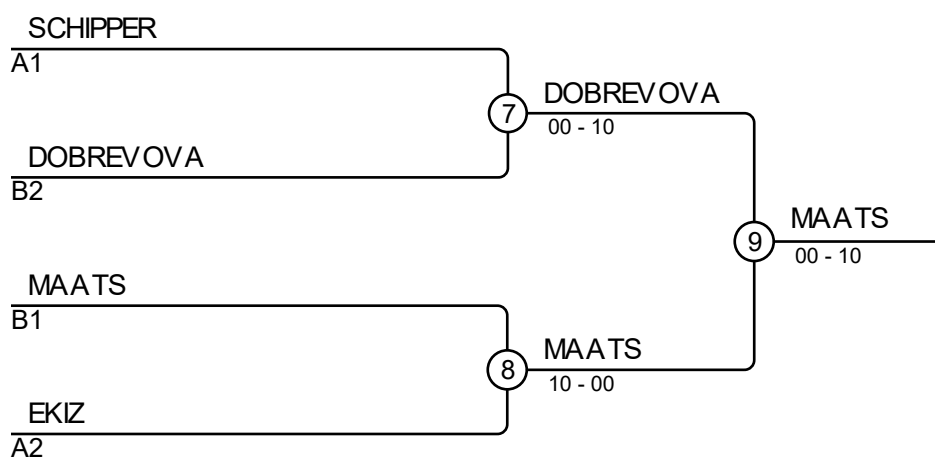
Match	White	Blue	Result	Time
1	Yaël SCHIPPER	1 2 Nebile EKIZ	10-00	0:53
3	Yaël SCHIPPER	1 3 Hedda ANDERSON HESTHOLM	10-00	0:33
5	Nebile EKIZ	2 3 Hedda ANDERSON HESTHOLM	10-00	0:41

Competitors B

#	Name	Grade	Club	4	5	6	Wins	Pts	Pos
4	Floor MAATS	?	RTI Heerenveen		10	10	2	20	1
5	Katerina DOBREVOVA	?	UDOACADEMY PRAHA			10	1	10	2
6	Benedicte BERNHUS	?	Fredrikstad kampsportklubb Judo				0	0	3

Matches B

Match	White	Blue	Result	Time
2	Floor MAATS	4 5 Katerina DOBREVOVA	10-00	0:38
4	Floor MAATS	4 6 Benedicte BERNHUS	10-00	0:29
6	Katerina DOBREVOVA	5 6 Benedicte BERNHUS	11-00	0:41



Results

Pos	Name
1	Floor MAATS, RTI Heerenveen
2	Katerina DOBREVOVA, UDOACADEMY PRAHA
3	Yaël SCHIPPER, TPO
3	Nebile EKIZ, Stavanger Judoklubb