

Copenhagen Open 2022

MU10-27

Competitors A

Competitors: 6

#	Name	Grade	Club	1	2	3	Wins	Pts	Pos
1	Miguel LARSEN	?	Amager Judo Skole		10		1	10	2
2	Carlo GIORGIE	?	Amager Judo Skole				0	0	3
3	Hleb PISOTSKYI	?	Amager Judo Skole	10	10		2	20	1

Matches A

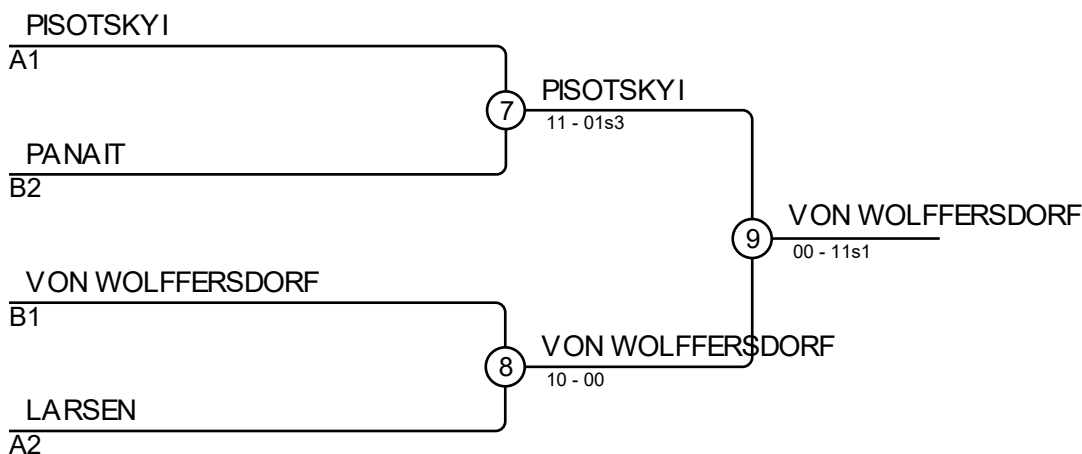
Match	White	Blue	Result	Time
1	Miguel LARSEN	1 2 Carlo GIORGIE	10-00	1:03
3	Miguel LARSEN	1 3 Hleb PISOTSKYI	00-10	2:25
5	Carlo GIORGIE	2 3 Hleb PISOTSKYI	00-10	0:10

Competitors B

#	Name	Grade	Club	4	5	6	Wins	Pts	Pos
4	Olivier DOBROSIELSKI	?	Amager Judo Skole				0	0	3
5	Louis VON WOLFFERSDORF	?	Leipziger Sportlöwen e.V.	10		10	2	20	1
6	Damian PANAIT	?	Amager Judo Skole	10			1	10	2

Matches B

Match	White	Blue	Result	Time
2	Olivier DOBROSIELSKI	4 5 Louis VON WOLFFERSDORF	00-10	0:42
4	Olivier DOBROSIELSKI	4 6 Damian PANAIT	00-11	0:49
6	Louis VON WOLFFERSDORF	5 6 Damian PANAIT	10-00s1	1:07



Results

Pos	Name
1	Louis VON WOLFFERSDORF, Leipziger Sportlöwen e.V.
2	Hleb PISOTSKYI, Amager Judo Skole
3	Damian PANAIT, Amager Judo Skole
3	Miguel LARSEN, Amager Judo Skole