

Copenhagen Open 2022

WU15-36

Competitors A

Competitors: 6

#	Name	Grade	Club	1	2	3	Wins	Pts	Pos
1	Lisa ASSINK	?	TPO		1		1	1	2
2	Katheryna VYKHRYSTIUK	?	AZS Opole				0	0	3
3	Isabelle HEDLUND	?	Judo Club Sundsvall	10	10		2	20	1

Matches A

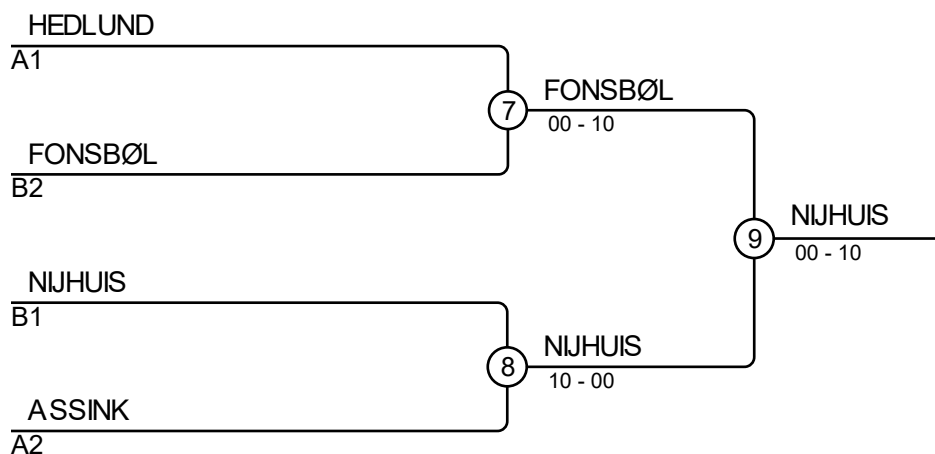
Match	White	Blue	Result	Time
1	Lisa ASSINK	1 2 Katheryna VYKHRYSTIUK	01s1-00s2	3:53
3	Lisa ASSINK	1 3 Isabelle HEDLUND	00-10	0:08
5	Katheryna VYKHRYSTIUK	2 3 Isabelle HEDLUND	00-10	0:09

Competitors B

#	Name	Grade	Club	4	5	6	Wins	Pts	Pos
4	Jelena NIJHUIS	?	TPO		10	10	2	20	1
5	Kai-Li HÖGBACK	?	Knivsta Judoklubb				0	0	3
6	Elena FONSBØL	?	Judoklubben Mitani		10		1	10	2

Matches B

Match	White	Blue	Result	Time
2	Jelena NIJHUIS	4 5 Kai-Li HÖGBACK	10-00	0:28
4	Jelena NIJHUIS	4 6 Elena FONSBØL	10-01	1:09
6	Kai-Li HÖGBACK	5 6 Elena FONSBØL	00-11	1:05



Results

Pos	Name
1	Jelena NIJHUIS, TPO
2	Elena FONSBØL, Judoklubben Mitani
3	Isabelle HEDLUND, Judo Club Sundsvall
3	Lisa ASSINK, TPO