

# Copenhagen Open 2022

# MU18-43

Competitors A

Competitors: 6

#	Name	Grade	Club	1	2	3	Wins	Pts	Pos
1	Tobias BELGRAVER	?	Team 53 ° Noord			1	1	1	2
2	Bjørn KOCH LAURITZEN	?	Århus Judo Klub	10		10	2	20	1
3	Tristan RUNGE SOMMER	?	Halsnæs Judo Klub				0	0	3

## Matches A

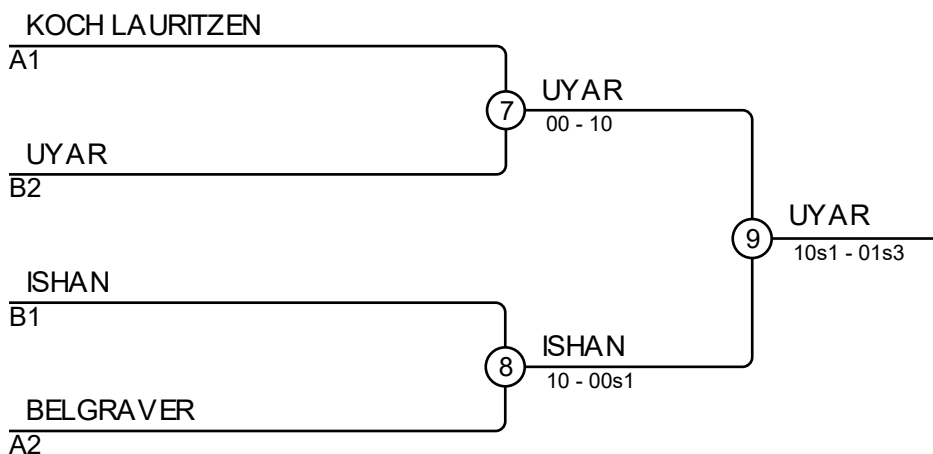
Match	White	Blue	Result	Time
1	Tobias BELGRAVER 1 2	Bjørn KOCH LAURITZEN	00-10	1:29
3	Tobias BELGRAVER 1 3	Tristan RUNGE SOMMER	01-00	4:00
5	Bjørn KOCH LAURITZEN 2 3	Tristan RUNGE SOMMER	10-00	3:50

## Competitors B

#	Name	Grade	Club	4	5	6	Wins	Pts	Pos
4	Celil UYAR	?	Sportinstituut Schiedam		1		1	1	2
5	Gijs ZONNENBERG	?	TPO				0	0	3
6	Dzhemaldinov ISHAN	?	Judoschule Kano Bremerhaven e.	10	10		2	20	1

## Matches B

Match	White	Blue	Result	Time
2	Celil UYAR 4 5	Gijs ZONNENBERG	01-00s1	4:00
4	Celil UYAR 4 6	Dzhemaldinov ISHAN	00s1-10s2	3:47
6	Gijs ZONNENBERG 5 6	Dzhemaldinov ISHAN	00-10	1:09



## Results

Pos	Name
1	Celil UYAR, Sportinstituut Schiedam
2	Dzhemaldinov ISHAN, Judoschule Kano Bremerhaven e.
3	Bjørn KOCH LAURITZEN, Århus Judo Klub
3	Tobias BELGRAVER, Team 53 ° Noord