

Copenhagen Open 2022

MU10-30

Competitors A

Competitors: 7

#	Name	Grade	Club	1	2	3	4	Wins	Pts	Pos
1	Friedrich HAMMERMÜLLER	?	Leipziger Sportlöwen e.V.		10		10	2	20	2
2	Max BRANDENBORG	?	Lyngby Judo og Ju-jutzu Klub					0	0	4
3	Tashtamirov ABU-DARDA	?	Judoschule Kano Bremerhaven e.		10			3	30	1
4	Destan TEKIN	?	Sportinstituut Schiedam		10			1	10	3

Matches A

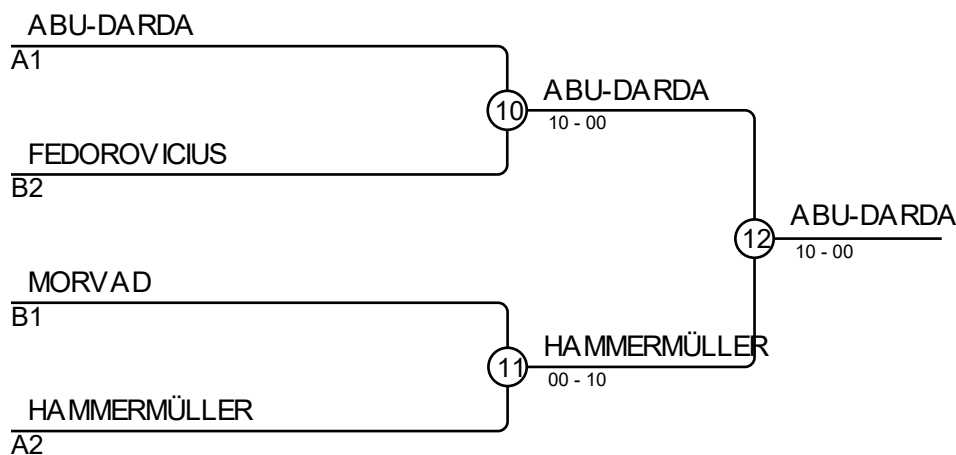
Match	White	Blue	Result	Time
1	Friedrich HAMMERMÜLLER 1 2	Max BRANDENBORG	10-00	1:20
2	Tashtamirov ABU-DARDA 3 4	Destan TEKIN	10-00	0:08
4	Friedrich HAMMERMÜLLER 1 3	Tashtamirov ABU-DARDA	00-10	0:11
5	Max BRANDENBORG 2 4	Destan TEKIN	00-10	2:01
7	Friedrich HAMMERMÜLLER 1 4	Destan TEKIN	10-01	1:29
8	Max BRANDENBORG 2 3	Tashtamirov ABU-DARDA	00-11	0:33

Competitors B

#	Name	Grade	Club	5	6	7	Wins	Pts	Pos
5	David MORVAD	?	Lyngby Judo og Ju-jutzu Klub	10	1		2	11	1
6	Ervinas FEDOROVICIUS	?	Takedow n JC Malmö			10	1	10	2
7	Nord KLINK ELBÆK	?	Amager Judo Skole				0	0	3

Matches B

Match	White	Blue	Result	Time
3	David MORVAD 5 6	Ervinas FEDOROVICIUS	10-00	0:00
6	David MORVAD 5 7	Nord KLINK ELBÆK	01-00	3:00
9	Ervinas FEDOROVICIUS 6 7	Nord KLINK ELBÆK	10-00	1:29



Results

Pos	Name
1	Tashtamirov ABU-DARDA, Judoschule Kano Bremerhaven e.
2	Friedrich HAMMERMÜLLER, Leipziger Sportlöwen e.V.
3	Ervinas FEDOROVICIUS, Takedow n JC Malmö
3	David MORVAD, Lyngby Judo og Ju-jutzu Klub